

**TOWNSEND® 60" x 36" SOLID SURFACE  
SHOWER BASE**

- 6036SMLHOL** Left Side Trench Drain
- 6036SMRHOL** Right Side Trench Drain

**Product Features:**

- Durable 100% solid, non-porous material
- Smooth matte surface
- Integral 3-sided 1" tiling / water retention flange for easy installation
- Low 2" threshold height
- Repairable and renewable surface
- Does not support bacteria and fungi growth
- Self-extinguishing
- UV resistant
- Resistant to stains and impact
- Easy maintenance and cleaning
- Drain not included

**Nominal Dimensions:**

60" x 36" x 2"  
(1524 x 914 x 51mm)

**Shower Base Includes:**

- Removable solid surface trench drain cover

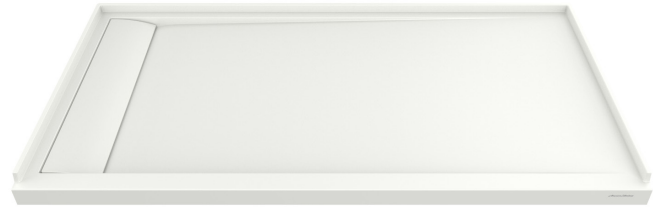
**Compliance Certifications -**

**Meets or Exceeds the Following Specifications:**

- CSA B45.5 / IAPMO Z124
- cUPC
- ASTM F462 (Pass w/COF=0.44)
- ASTM C1028
  - COF Dry = 0.66
  - COF Wet = 0.56

**Flame & Smoke**

- ASTM E84
  - Flame Spread Index = 0
  - Smoke Index = 20
- CAN/ULC S102.2
  - Flame Spread Rating = 0
  - Smoke Developed Classification = 15



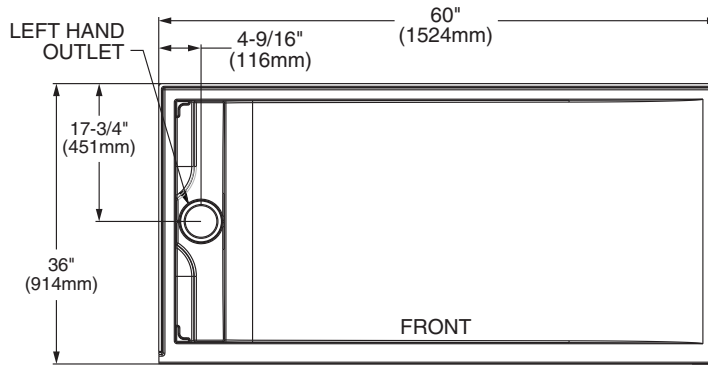
**6036SMLHOL**



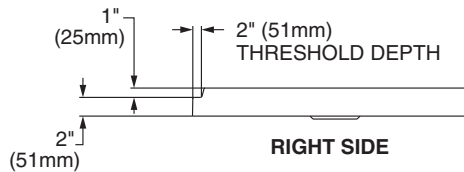
**6036SMRHOL**

SEE REVERSE SIDE FOR ROUGHING-IN DIMENSIONS

**6036SMLHOL**  
Left Side Trench Drain

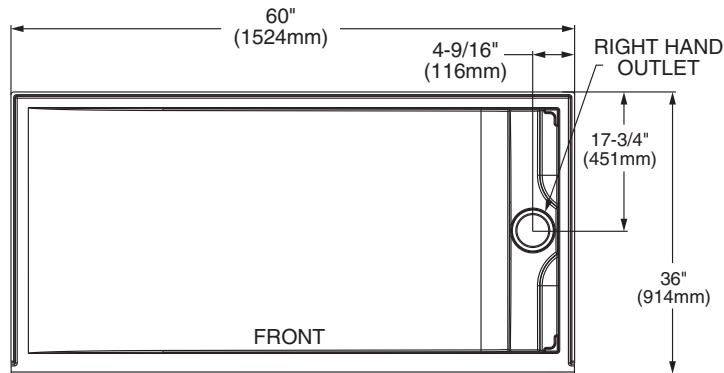


TOP VIEW

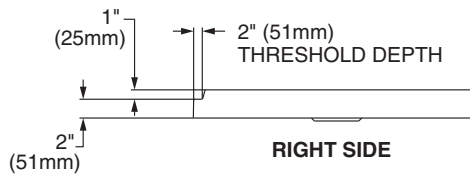


RIGHT SIDE

**6036SMRHOL**  
Right Side Trench Drain



TOP VIEW



RIGHT SIDE

**GENERAL SPECIFICATIONS FOR 6036SM SHOWER BASE**

INSTALLED SIZE	1524mm x 914mm (60 x 36 In.)
WEIGHT	58.6 Kg. (129 Lbs.)
SHOWER WELL AT SUMP	1429mm x 795mm (56-3/16 x 31-5/16 In.)
SHOWER WELL AT RIM	1437mm x 817mm (56-5/8 x 32-3/16 In.)
FLOOR LOADING (PROJECTED AREA)	42 Kgs/Sq. m. (9 Lbs./Sq. Ft.)